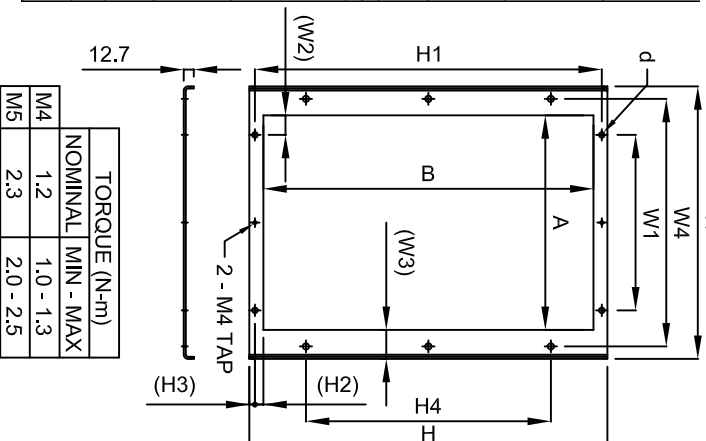


# E7/F7/G7/P7 RING KIT ATTACHMENT

KIT NO.	E7/F7/P7 MODEL	GR MODEL	1		2		3		SCREWS (SEE TORQUE CHART)	GROMMET	5	W	H	W1	(W2)	(W3)	W4	H1	(H2)	(H3)	H4	A	B	d	INSTALLATION DIAGRAM
			Mounting RING	TOP Mounting BRACKET	BOTTOM Mounting BRACKET	Mounting RING	TOP Mounting BRACKET	Mounting RING																	
UDA00417-D	20P4	20P4	USP00674-1	USP00719A	USP00719A	M4x12 (x6)	N/A	N/A	N/A	N/A	174.5	310	126	5.5	18.75	N/A	290	9.5	10	N/A	137	271	6	1	
UDA00417-C	20P4	20P4	USP00673-1	USP00718A	USP00730A	M4x10 (x6)	UWS00004-1	FLEZ1011 (x2)	N/A	N/A	233.5	337	180	8	18.75	N/A	316	9	10.5	N/A	196	298	6	3	
UDA00417-B	2015	2011	USP00685-1	USP00720A	USP00731A	M4x10 (x4)	UWS00004-1	FLEZ1012 (x2)	N/A	N/A	270.5	392	216	8.5	18.75	N/A	372	9.5	10	N/A	233	353	7	4	
UDA00417-F	2022	2018	USP00679-1	N/A	N/A	M4x35 (x4)	N/A	N/A	N/A	N/A	285.5	339.2	195	24.5	36.4	285.5	385	10.5	7.1	307.2	244	364	6	2	
UDA00417-E	2030	2022	USP00675-1	N/A	N/A	M4x12 (x2)	N/A	N/A	N/A	N/A	341.8	449.2	220	24.5	36.4	310.5	435	10.5	7.1	307.2	269	414	7	2	
UDA00417-G	4P7P5	4P7P5	USP00673-1	USP00718A	USP00730A	M4x10 (x6)	UWS00004-1	FLEZ1011 (x2)	N/A	N/A	233.5	337	180	8	18.75	N/A	316	9	10.5	N/A	196	298	6	3	
UDA00417-H	4015	4011	USP00685-1	USP00720A	USP00731A	M4x10 (x4)	UWS00004-1	FLEZ1012 (x2)	N/A	N/A	270.5	392	216	8.5	18.75	N/A	372	9.5	10	N/A	233	353	7	4	
UDA00417-I	4022	4018	USP00675-1	N/A	N/A	M4x10 (x2)	N/A	N/A	N/A	N/A	341.8	449.2	220	24.5	36.4	310.5	435	10.5	7.1	307.2	269	414	7	2	
UDA00417-J	4037	4030	USP00682-1	N/A	N/A	M4x12 (x2)	N/A	N/A	N/A	N/A	382.3	549.2	260	25.5	35.65	351	556	10.5	7.1	307.2	311	514	8	2	
UDA00417-K	4035	4037	USP00682-1	N/A	N/A	M4x12 (x2)	N/A	N/A	N/A	N/A	382.3	549.2	260	25.5	35.65	351	556	10.5	7.1	307.2	311	514	8	2	

Mounting RING



TORQUE (N-m)	
NOMINAL	1.2
MIN - MAX	1.0 - 1.3
M4	2.3
M5	2.0 - 2.5

## DIAGRAM 3

### INSTRUCTIONS

- 1) REMOVE LOWER MOUNTING BRACKET BY REMOVING (2) SCREWS. THIS PART IS NOT NEEDED WITH RING ATTACHMENT. -SEE FIGURE 3-1
- 2) REMOVE EXISTING FANS SUBASSEMBLY BY DETACHING PLASTIC BRACKET FROM DRIVE HOUSING. PRESS ON MARKED TABS TO RELEASE BRACKET. THEN DETACH FAN WIRES AT CONNECTORS.
- 3) REMOVE FANS FROM FAN BRACKET. FANS ARE HELD TO BRACKET BY SNAP FIT. -SEE FIGURE 3-2
- 4) INSERT GROMMET TO HOLE IN BOTTOM MOUNTING BRACKET. ORIENT ORIGINAL FANS SO THAT WIRES ARE NEAREST TO GROMMET AND FAN FLOW DIRECTION IS TOWARD TOP OF INVERTER. ROUTE FAN WIRES THROUGH GROMMET.
- 5) COMPLETE FAN BRACKET SUBASSEMBLY USING FINGER GUARDS AND FAN SCREWS (4) M4X35. -SEE FIGURE 3-3
- 6) INSERT FAN BRACKET SUBASSEMBLY AND TOP MOUNTING BRACKET TO UNIT AS SHOWN ON DRAWING. SECURE EACH BRACKET WITH (2) M4X10 SCREWS.
- 7) REATTACH FAN WIRES.
- 8) ATTACH MOUNTING RING TO UNIT FROM BOTTOM SIDE OF THE UNIT.
- 9) USE (2) M4X10 SCREWS TO HOLD THE RING IN PLACE WITH THE UNIT.

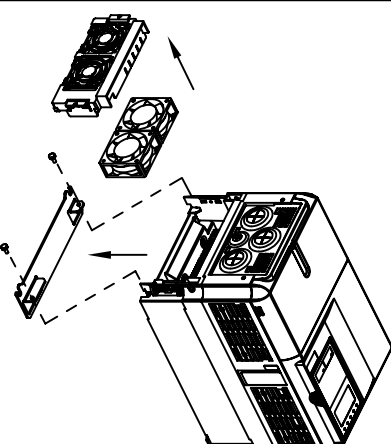


FIGURE 3-1

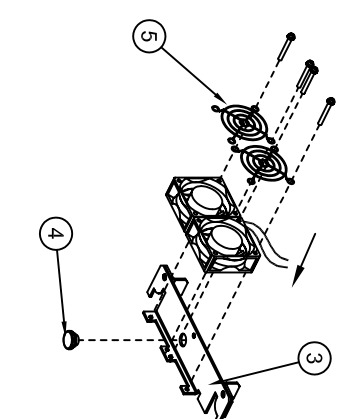


FIGURE 3-2

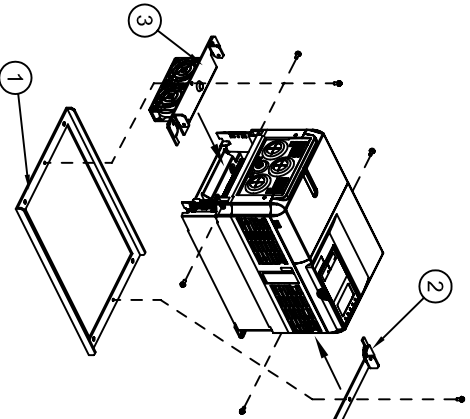
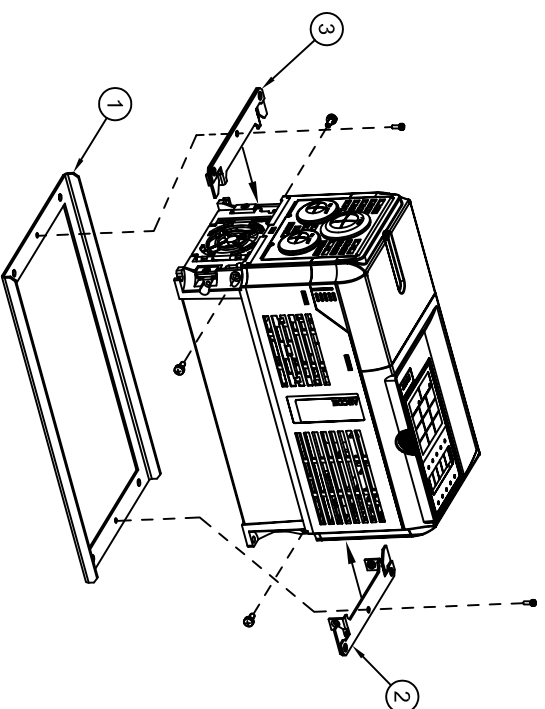


FIGURE 3-3

## DIAGRAM 1

### INSTRUCTIONS

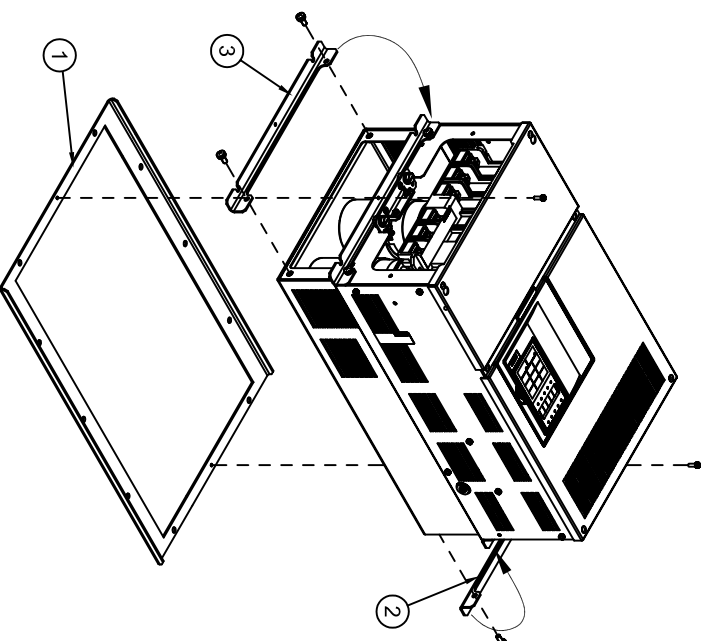
- 1) INSERT BRACKETS TO UNIT AS SHOWN ON DRAWING. SECURE EACH BRACKET WITH (2) M4X10 SCREWS.
- 2) MOUNT RING TO UNIT FROM BOTTOM SIDE OF THE UNIT.
- 3) USE (2) M4X12 SCREWS TO HOLD THE RING IN PLACE WITH THE UNIT.



## DIAGRAM 2

### INSTRUCTIONS

- 1) REMOVE BOLTS (X8) FROM EXISTING MOUNTING BRACKETS AND FROM HOLES ABOVE.
- 2) MOVE MOUNTING BRACKETS FROM LOWER POSITION TO MIDDLE POSITION USING PREVIOUSLY REMOVED BOLTS (X4).
- 3) REPLACE REMAINING BOLTS TO LOWER HOLES (X4).
- 4) ATTACH MOUNTING RING TO UNIT FROM BOTTOM SIDE OF THE UNIT.
- 5) USE (2) M4X12 SCREWS TO HOLD THE RING IN PLACE WITH THE UNIT.



## DIAGRAM 4

### INSTRUCTIONS

- 1) REMOVE EXISTING FANS SUBASSEMBLY BY DETACHING PLASTIC BRACKET FROM DRIVE HOUSING. PRESS ON MARKED TABS TO RELEASE BRACKET. THEN DETACH FAN WIRES AT CONNECTORS.
- 2) REMOVE FANS FROM FAN BRACKET. FANS ARE HELD TO BRACKET BY SNAP FIT. -SEE FIGURE 4-2
- 3) INSERT GROMMET TO HOLE IN BOTTOM MOUNTING BRACKET. ORIENT ORIGINAL FANS SO THAT WIRES ARE NEAREST TO GROMMET AND FAN FLOW DIRECTION IS TOWARD TOP OF INVERTER. ROUTE FAN WIRES THROUGH GROMMET.
- 4) COMPLETE FAN BRACKET SUBASSEMBLY USING FINGER GUARDS AND FAN SCREWS (4) M4X35. -SEE FIGURE 4-3
- 5) INSERT FAN BRACKET SUBASSEMBLY AND TOP MOUNTING BRACKET TO UNIT AS SHOWN ON DRAWING. SECURE EACH BRACKET WITH (2) M5X10 SCREWS.
- 6) REATTACH FAN WIRES.
- 7) ATTACH MOUNTING RING TO UNIT FROM BOTTOM SIDE OF THE UNIT.
- 8) USE (2) M4X10 SCREWS TO HOLD THE RING IN PLACE WITH THE UNIT.

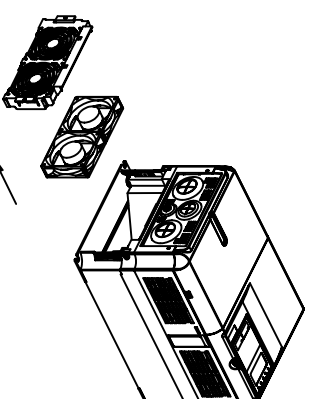


FIGURE 4-1

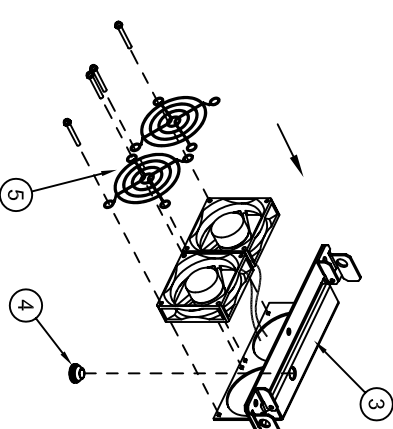


FIGURE 4-2

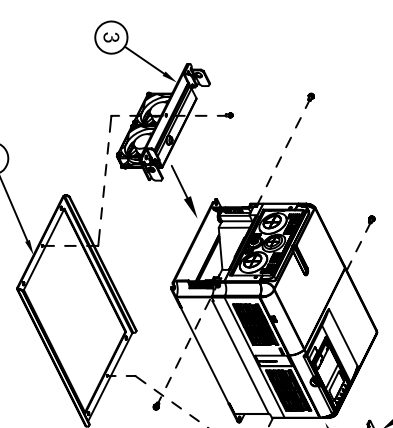
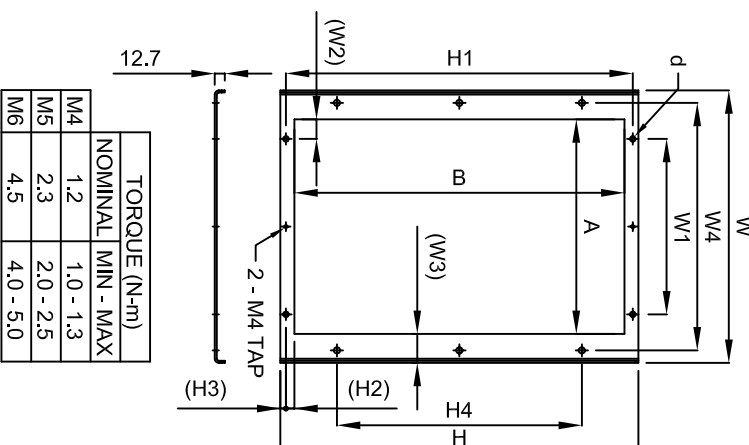


FIGURE 4-3

# G5/PC5/P5 REPLACEMENT WITH E7/F7/G7/P7

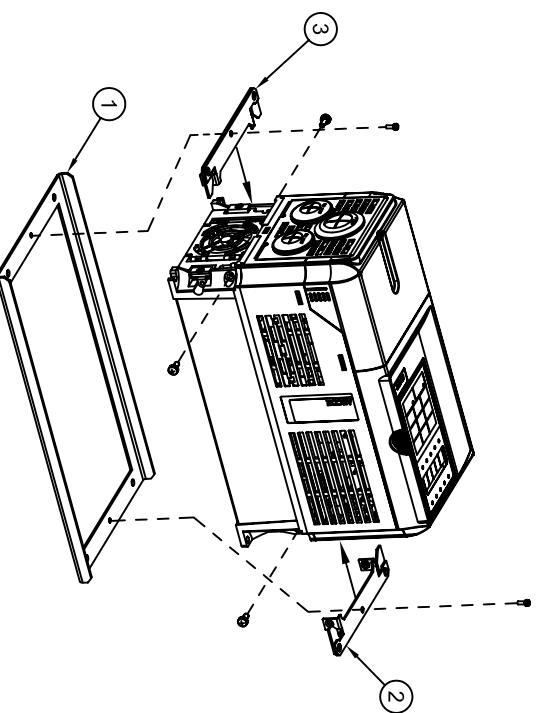
KIT NO.	G5/PC5/P5 ORIGINAL	E7/F7/P7 REPLACEMENT	G7 REPLACEMENT	1	2	3	SCREWS (SEE TORQUE CHART)	4	H3	H4	A	B	d	INSTALLATION DIAGRAM
UDA00417-D	20P4 20P7 21P5 22P2 23P7	20P4 20P7 21P5 22P2 23P7	20P4 20P7 21P5 22P2 23P7	USP00674-1	USP00719-A	USP00719-A	MAX12 (x6)	N/A	10	N/A	137	271	6	1
UDA00417-G	29P5	29P5	29P5	USP00673-2	USP00719-A	USP00719-A	MAX12 (x4) M6X16 (x4)	N/A	10.5	N/A	138	271	6	1
UDA00417-C	27P5	27P5	27P5	USP00673-1	USP00719-A	USP00730-A	MAX10 (x6) MAX10 (x4)	UWS00004-1	10.5	N/A	196	288	6	3
UDA00417-H	2011	2011	-	USP00920-2	USP00719-A	USP00730-A	MAX10 (x6) MAX35 (x4) M5X10 (x4) M4X10 (x2)	UWS00004-1	10	N/A	197	288	7	3
UDA00417-J	2015	2015 or 2018	2015	USP00920-1	USP00919-A	USP00919-A	MAX10 (x4) MAX10 (x2) MAX35 (x4)	UWS00004-1	10	N/A	233	353	7	4
UDA00417-D	40P4 40P7 41P5 42P2 43P7 44P0	40P4 40P7 41P5 42P2 43P7 44P0	40P4 40P7 41P5 42P2 43P7 44P0	USP00674-1	USP00719-A	USP00719-A	MAX12 (x6)	N/A	10	N/A	137	271	6	1
UDA00417-C	45P5	47P5	45P5	USP00673-1	USP00719-A	USP00730-A	MAX10 (x6) MAX35 (x4)	UWS00004-1	10.5	N/A	196	288	6	3
UDA00417-J	4011	4015	4015	USP00920-1	USP00919-A	USP00919-A	M5X10 (x4) MAX10 (x2) MAX35 (x4)	UWS00004-1	10	N/A	233	353	7	4

## MOUNTING RING



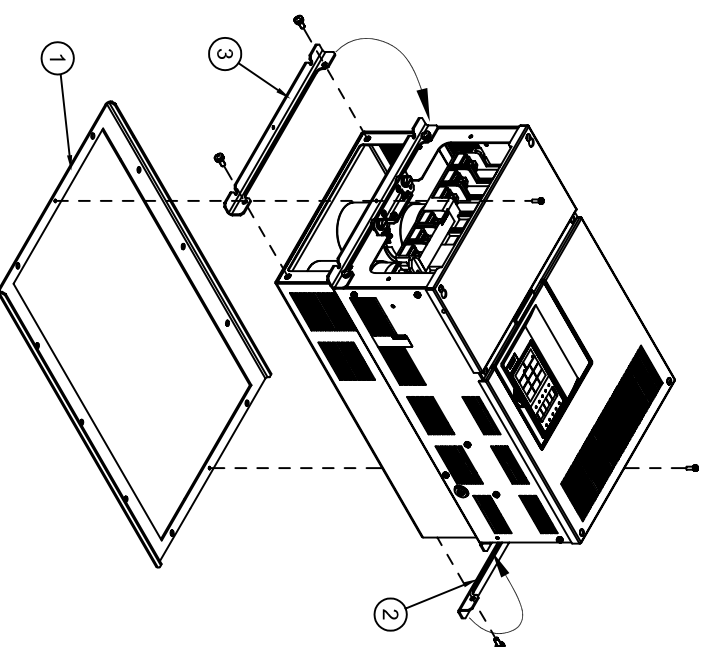
## DIAGRAM 1

- INSTRUCTIONS**
- 1) INSERT BRACKETS TO UNIT AS SHOWN ON DRAWING. SECURE EACH BRACKET WITH (2) M4X10 SCREWS.
  - 2) MOUNT RING TO UNIT FROM BOTTOM SIDE OF THE UNIT.
  - 3) USE (2) M4X12 SCREWS TO HOLD THE RING IN PLACE WITH THE UNIT. FOR UDA00417-G, USE (4) M6X16 SCREWS INSTEAD



## DIAGRAM 2

- INSTRUCTIONS**
- 1) REMOVE BOLTS (X8) FROM EXISTING MOUNTING BRACKETS AND FROM HOLES ABOVE.
  - 2) MOVE MOUNTING BRACKETS FROM LOWER POSITION TO MIDDLE POSITION USING PREVIOUSLY REMOVED BOLTS (X4).
  - 3) REPEAT REMAINING BOLTS TO LOWER HOLES (X4)
  - 4) ATTACH MOUNTING RING TO UNIT FROM BOTTOM SIDE OF THE UNIT.
  - 5) USE (2) M4X12 SCREWS TO HOLD THE RING IN PLACE WITH THE UNIT.



## DIAGRAM 3

- INSTRUCTIONS**
- SEE FIGURE 3-1
- 1) REMOVE LOWER MOUNTING BRACKET BY REMOVING (2) SCREWS. THIS PART IS NOT NEEDED WITH RING ATTACHMENT.
  - 2) REMOVE EXISTING FANS SUBASSEMBLY BY DETACHING PLASTIC BRACKET FROM DRIVE HOUSING. PRESS ON MARKED TABS TO RELEASE BRACKET, THEN DETACH FAN WIRES AT CONNECTORS.
  - 3) REMOVE FANS FROM FAN BRACKET. FANS ARE HELD TO BRACKET BY SNAP FIT.
  - 4) INSERT GROMMET TO HOLE IN BOTTOM MOUNTING BRACKET. ORIENT ORIGINAL FANS SO THAT WIRES ARE NEAREST TO GROMMET AND FAN FLOW DIRECTION IS TOWARD TOP OF INVERTER. ROUTE FAN WIRES THROUGH GROMMET.
  - 5) COMPLETE FAN BRACKET SUBASSEMBLY USING FINGER GUARDS AND FAN SCREWS (4) M4X35.
- SEE FIGURE 3-3
- 6) INSERT FAN BRACKET SUBASSEMBLY AND TOP MOUNTING BRACKET TO UNIT AS SHOWN ON DRAWING. SECURE EACH BRACKET WITH (2) M4X10 SCREWS.
  - 7) REATTACH FAN WIRES.
  - 8) ATTACH MOUNTING RING TO UNIT FROM BOTTOM SIDE OF THE UNIT.
  - 9) USE (2) M4X10 SCREWS TO HOLD THE RING IN PLACE WITH THE UNIT. FOR UDA00417-H, ALSO ATTACH (4) M6X16 SCREWS TO RING.

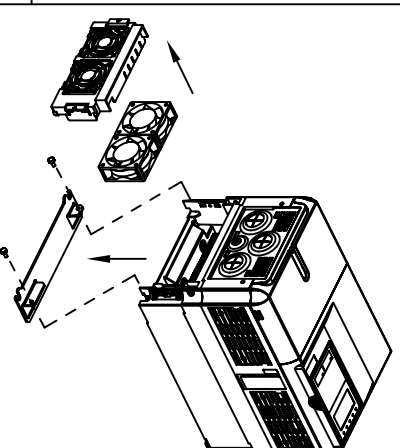


FIGURE 3-1

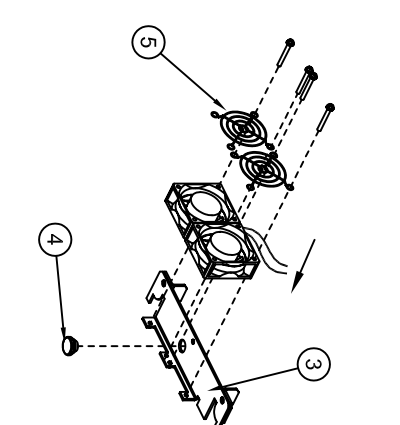


FIGURE 3-2

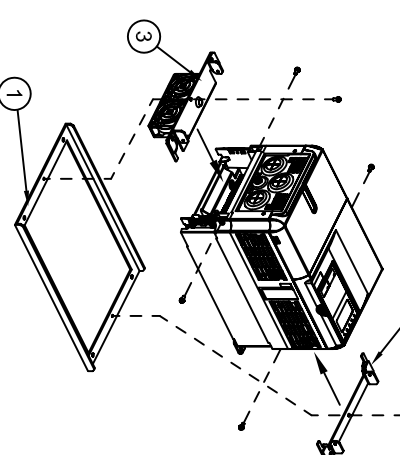


FIGURE 3-3

## DIAGRAM 4

- INSTRUCTIONS**
- SEE FIGURE 4-1
- 1) REMOVE EXISTING FANS SUBASSEMBLY BY DETACHING PLASTIC BRACKET FROM DRIVE HOUSING. PRESS ON MARKED TABS TO RELEASE BRACKET, THEN DETACH FAN WIRES AT CONNECTORS.
  - 2) REMOVE FANS FROM FAN BRACKET. FANS ARE HELD TO BRACKET BY SNAP FIT.
  - 3) INSERT GROMMET TO HOLE IN BOTTOM MOUNTING BRACKET. ORIENT ORIGINAL FANS SO THAT WIRES ARE NEAREST TO GROMMET AND FAN FLOW DIRECTION IS TOWARD TOP OF INVERTER. ROUTE FAN WIRES THROUGH GROMMET.
  - 4) COMPLETE FAN BRACKET SUBASSEMBLY USING FINGER GUARDS AND FAN SCREWS (4) M4X35.
- SEE FIGURE 4-3
- 5) INSERT FAN BRACKET SUBASSEMBLY AND TOP MOUNTING BRACKET TO UNIT AS SHOWN ON DRAWING. SECURE EACH BRACKET WITH (2) M5X10 SCREWS.
  - 6) REATTACH FAN WIRES.
  - 7) ATTACH MOUNTING RING TO UNIT FROM BOTTOM SIDE OF THE UNIT.
  - 8) USE (2) M4X10 SCREWS TO HOLD THE RING IN PLACE WITH THE UNIT. FOR UDA00417-J, ALSO ATTACH (4) M6X16 SCREWS TO RING.

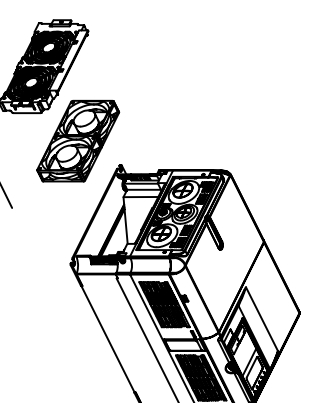


FIGURE 4-1

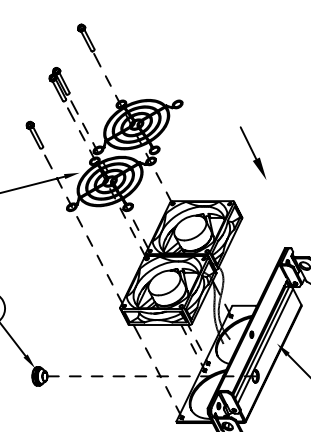


FIGURE 4-2

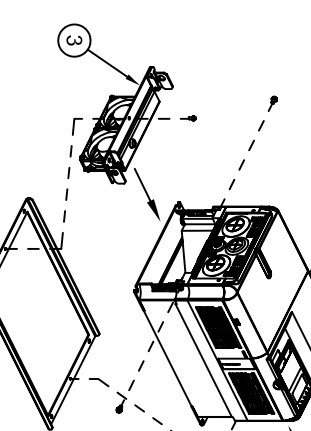


FIGURE 4-3